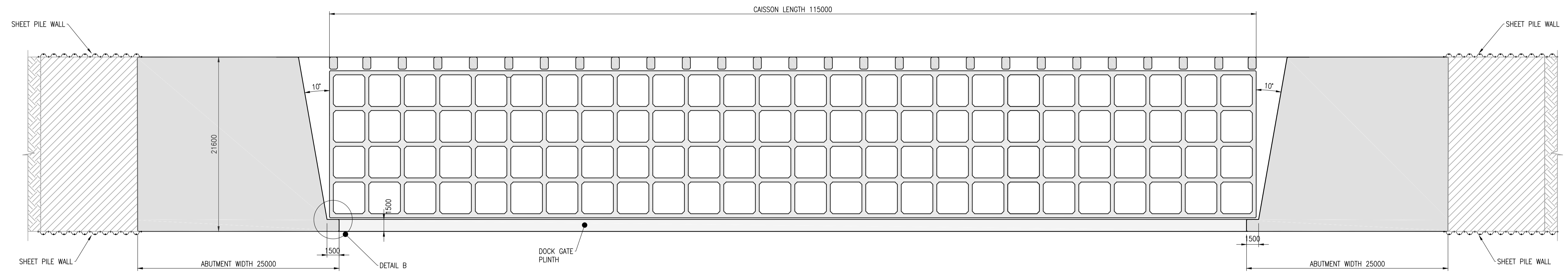
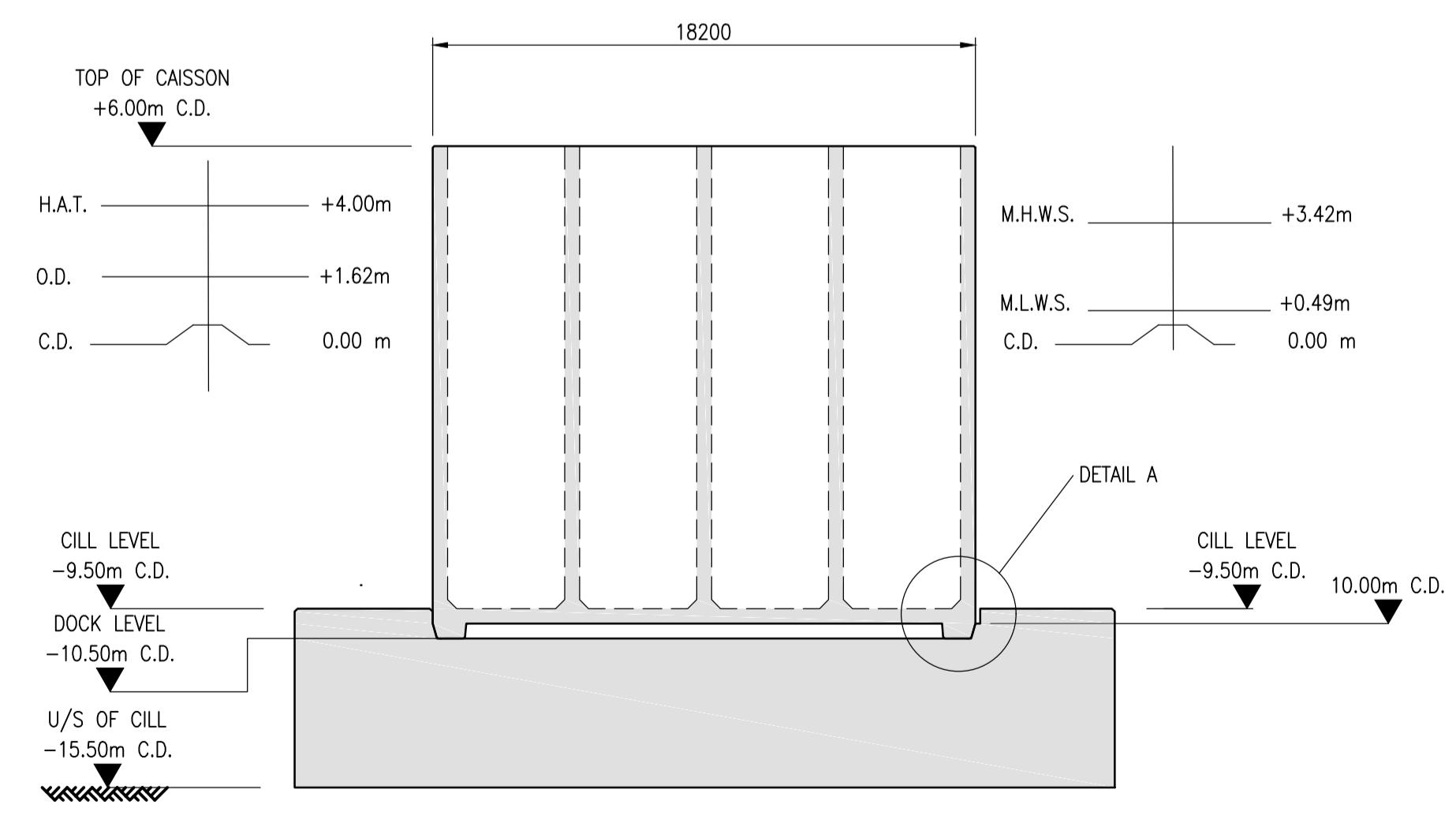


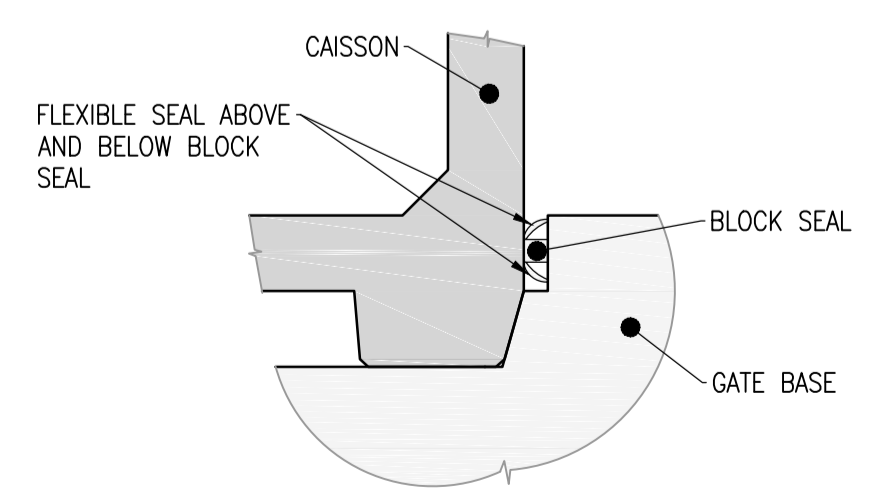
ELEVATION ON CONCRETE CAISSON AND ABUTMENTS
SCALE 1:250



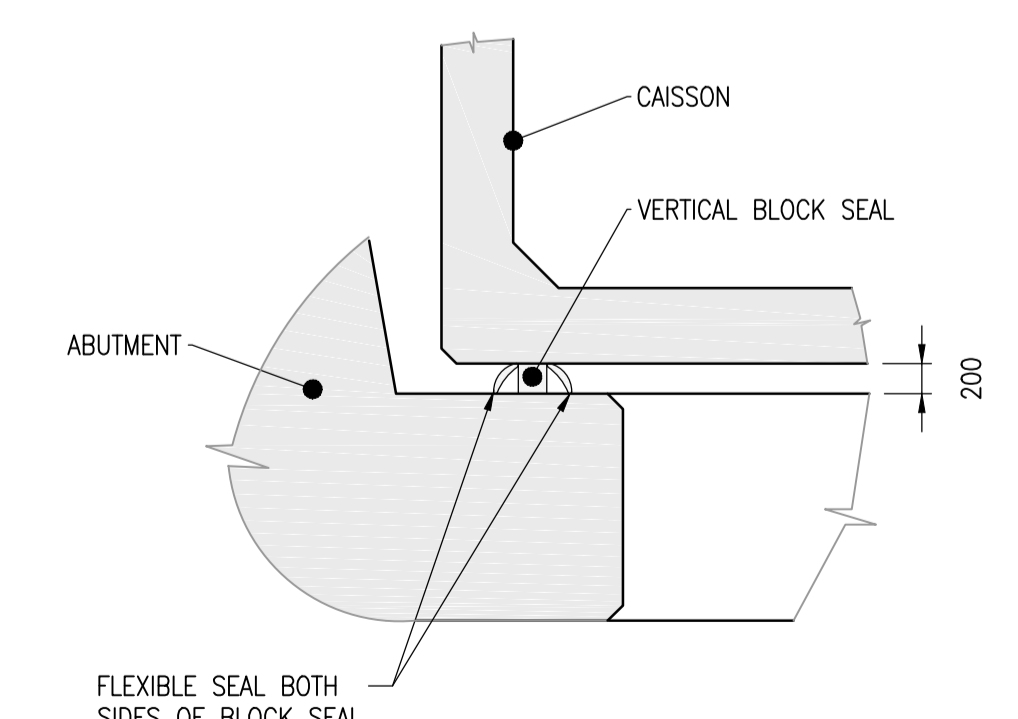
PLAN ON CONCRETE CAISSON AND ABUTMENTS
SCALE 1:250



TYPICAL SECTION
SCALE 1:200

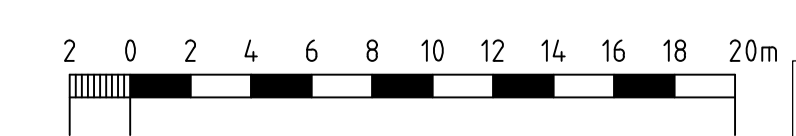


ENLARGED DETAIL A
SCALE 1:50



ENLARGED DETAIL B
SCALE 1:50

SCALE 1:250



DO NOT SCALE

REV	DATE	REVISION DESCRIPTION	DRN	VER
THIS DRAWING IS COPYRIGHT © DO NOT SCALE FROM THIS DRAWING.				

Arch Henderson 1919

Civil Engineers
Structural Engineers
Architects
Geotechnical services
Environmental services

142 St. Vincent Street, Glasgow G2 5LA
Tel: 0141 227 3060 - Fax: 0141 248 9542
www.arch-henderson.co.uk - email: glasgow@arch-henderson.co.uk

Offices in: Aberdeen, Dundee, Glasgow, Lerwick, Stromness and Thurso

PROJECT :
CLYDEPORT PROPERTIES LTD
HUNTERSTON QUAY

TITLE :
DOCK GATE
PLANS SECTIONS AND ELEVATIONS

DRAWN : CAB	DATE : 06-02-18	VERIFIED : JM	APPROVED : AK
----------------	--------------------	------------------	------------------

SCALE : (A1) AS SHOWN	DRAWING STATUS : PLANNING
--------------------------	------------------------------

DRAWING No : 175049-301	REV : -
----------------------------	------------